

**SLID'UP**  
by MANTION

INSTRUCTION DE MONTAGE  
MONTAGEANLEITUNG  
INSTRUCTIONS FOR ASSEMBLY  
INSTRUCCIONES DE MONTAJE  
INSTRUKCJA MONTAŻU

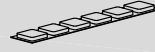
**SU5314**



x1



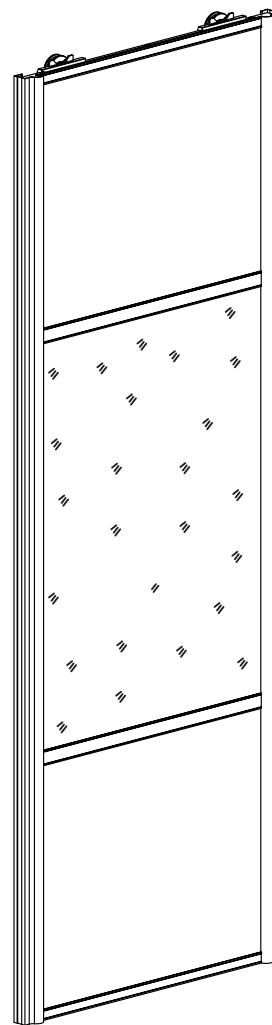
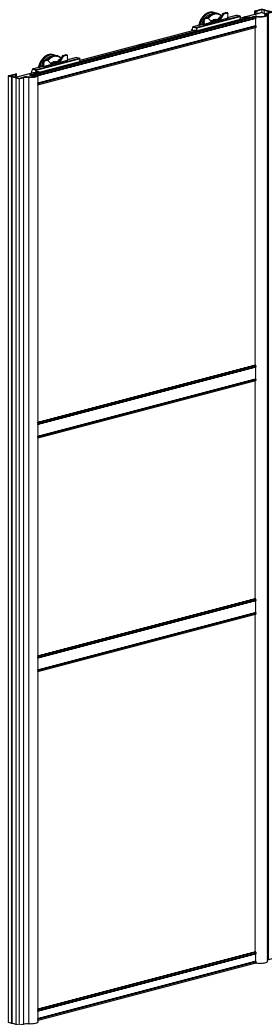
x16



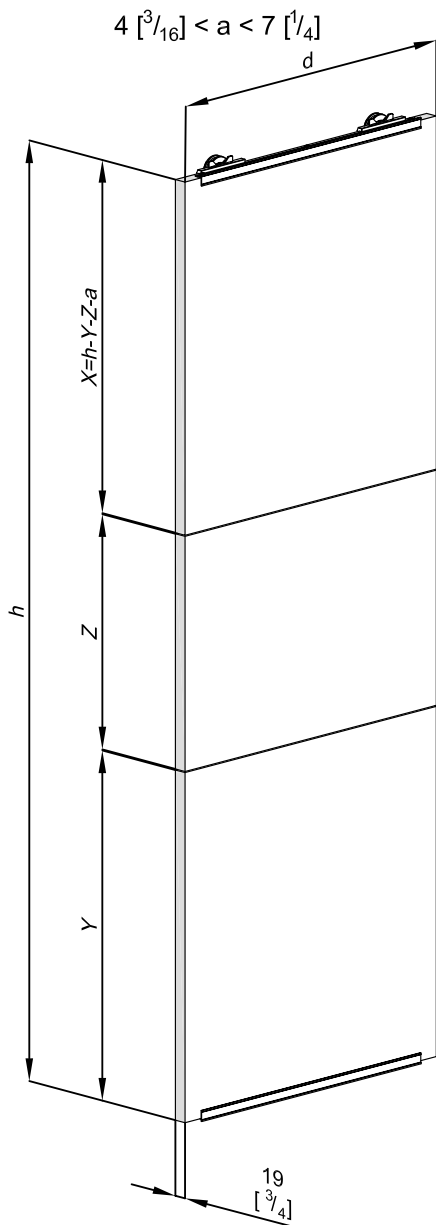
x2



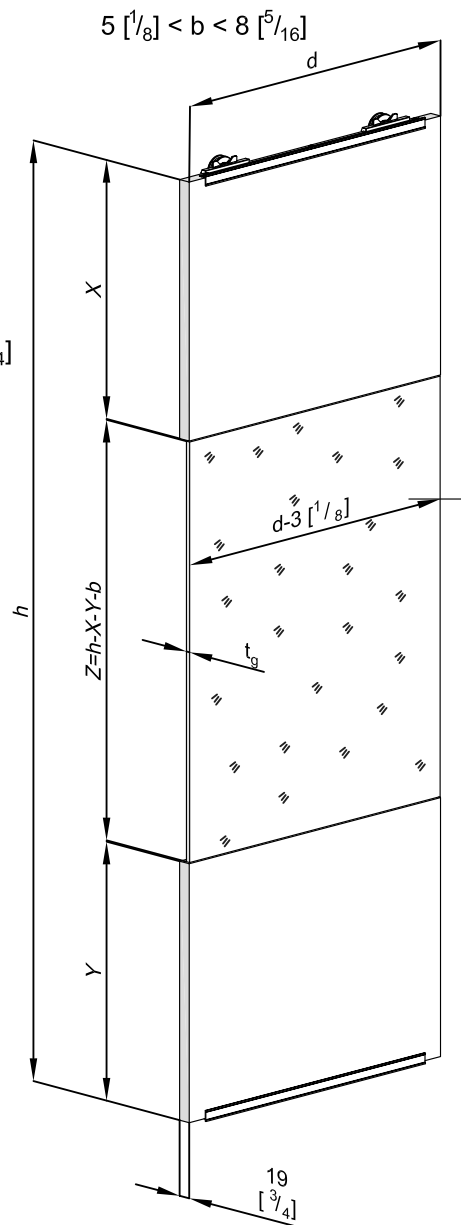
45KG  
100lb



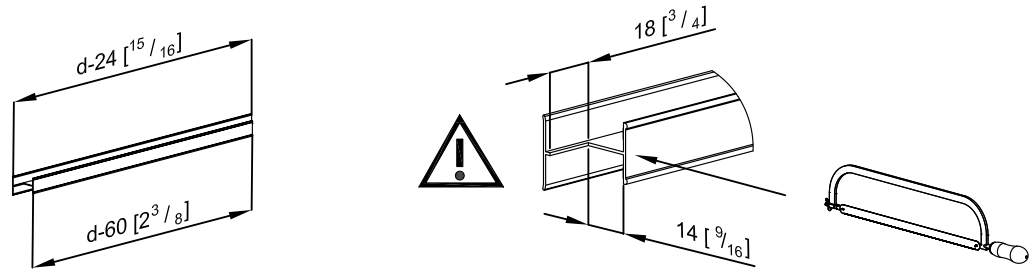
**a**



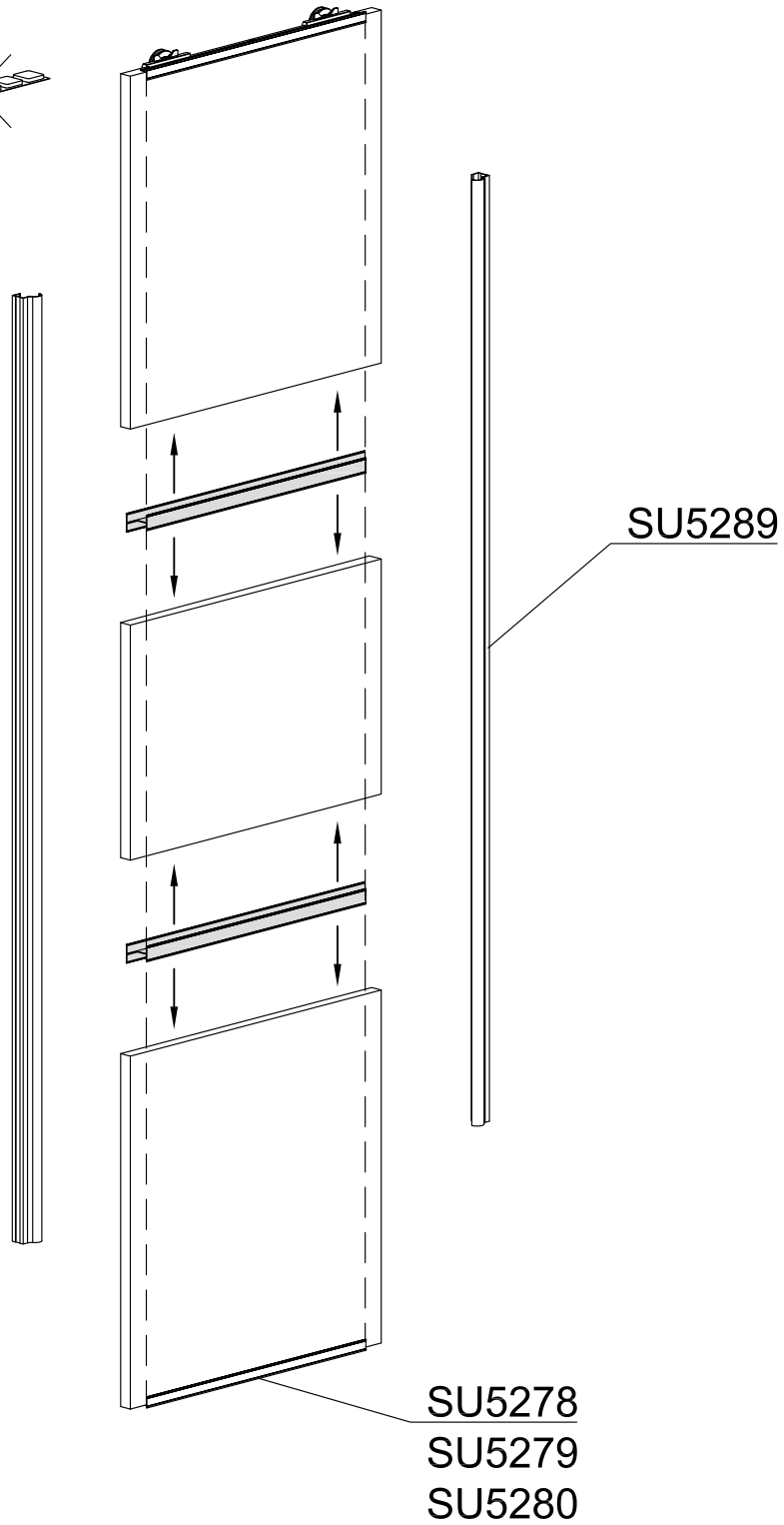
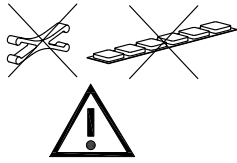
**b**



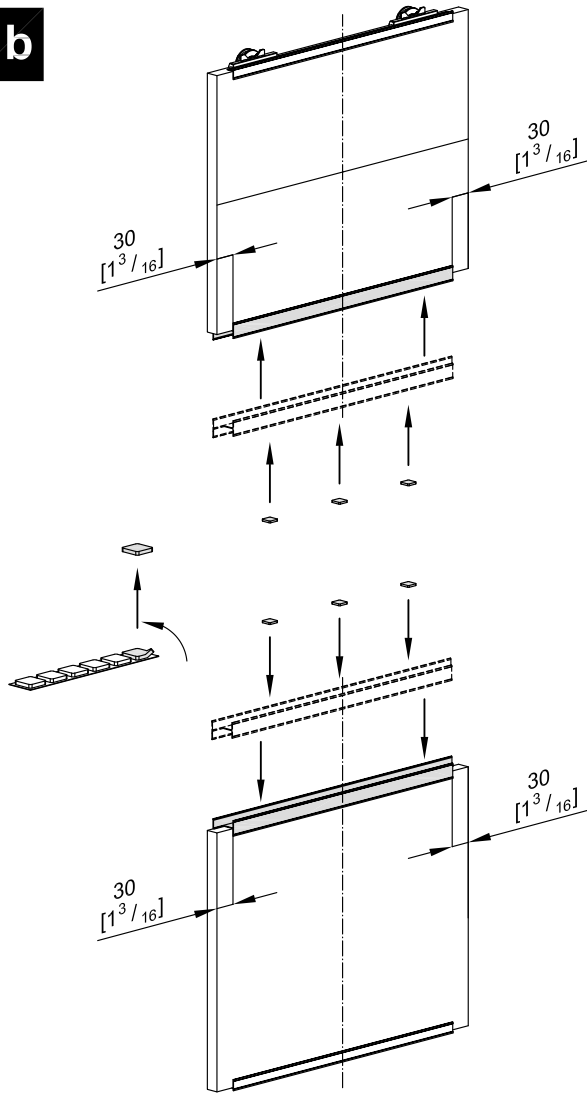
$X, Y > 200$  [8]  
 $4 [\frac{3}{16}] < t_g < 6 [\frac{1}{4}]$



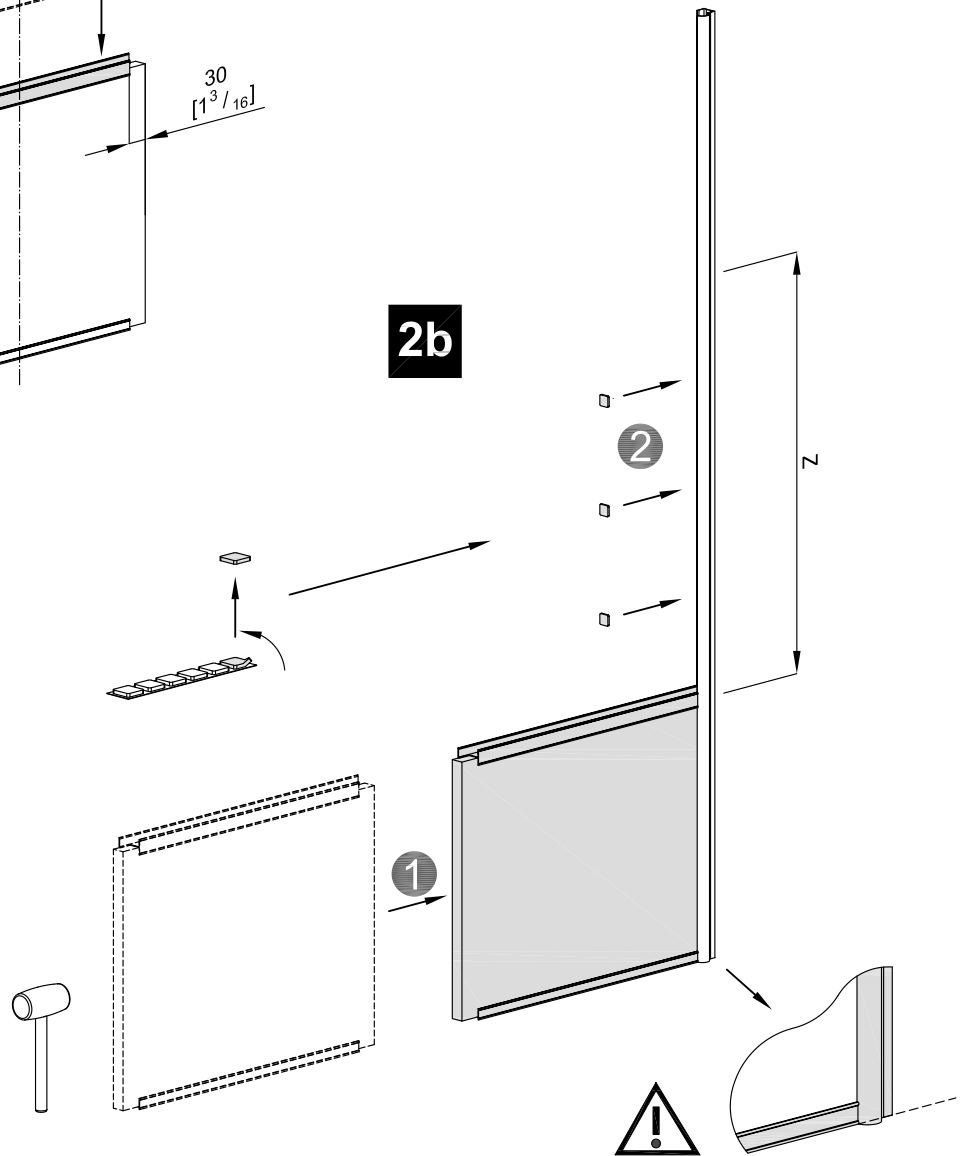
**1a**



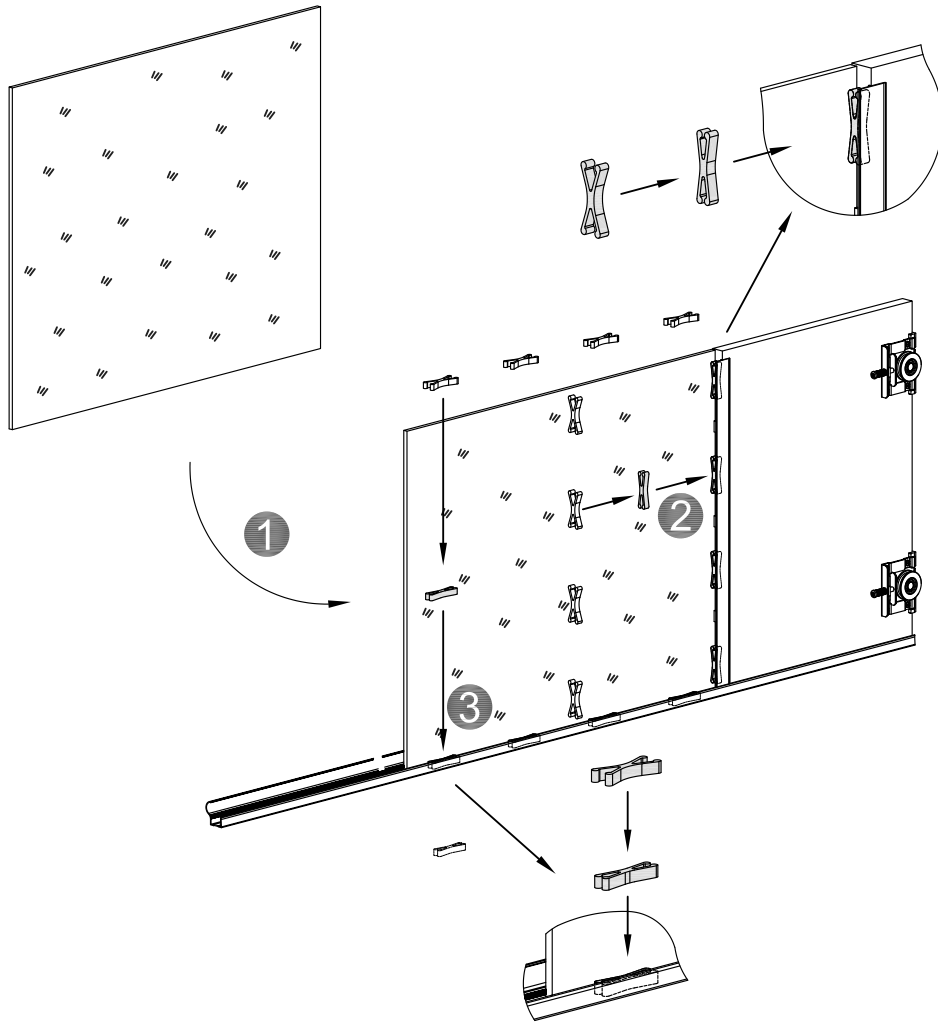
**1b**



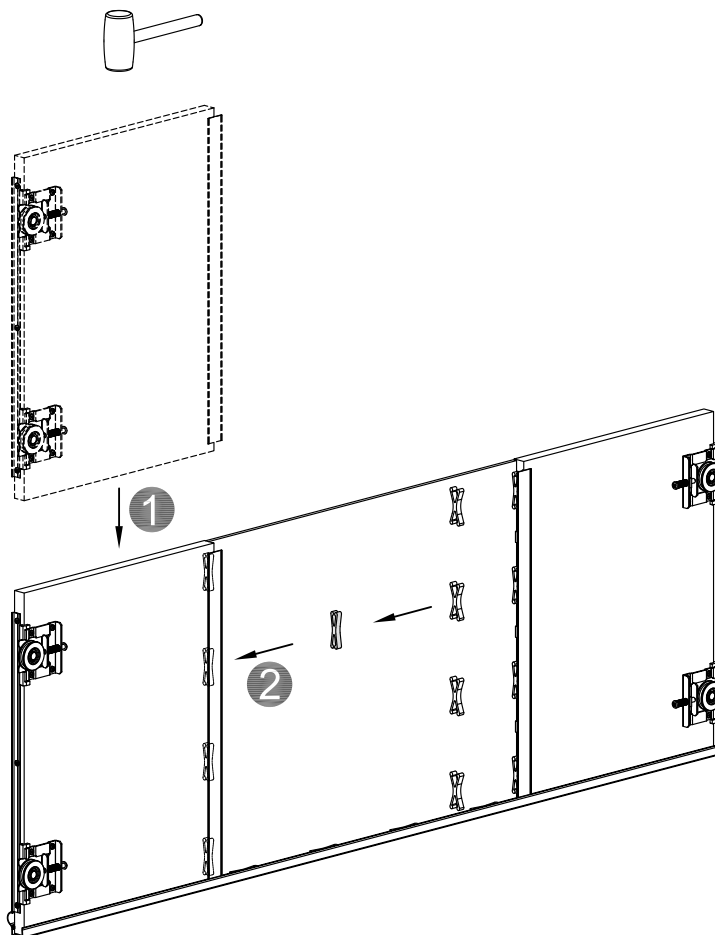
**2b**



3b



4b



5b

